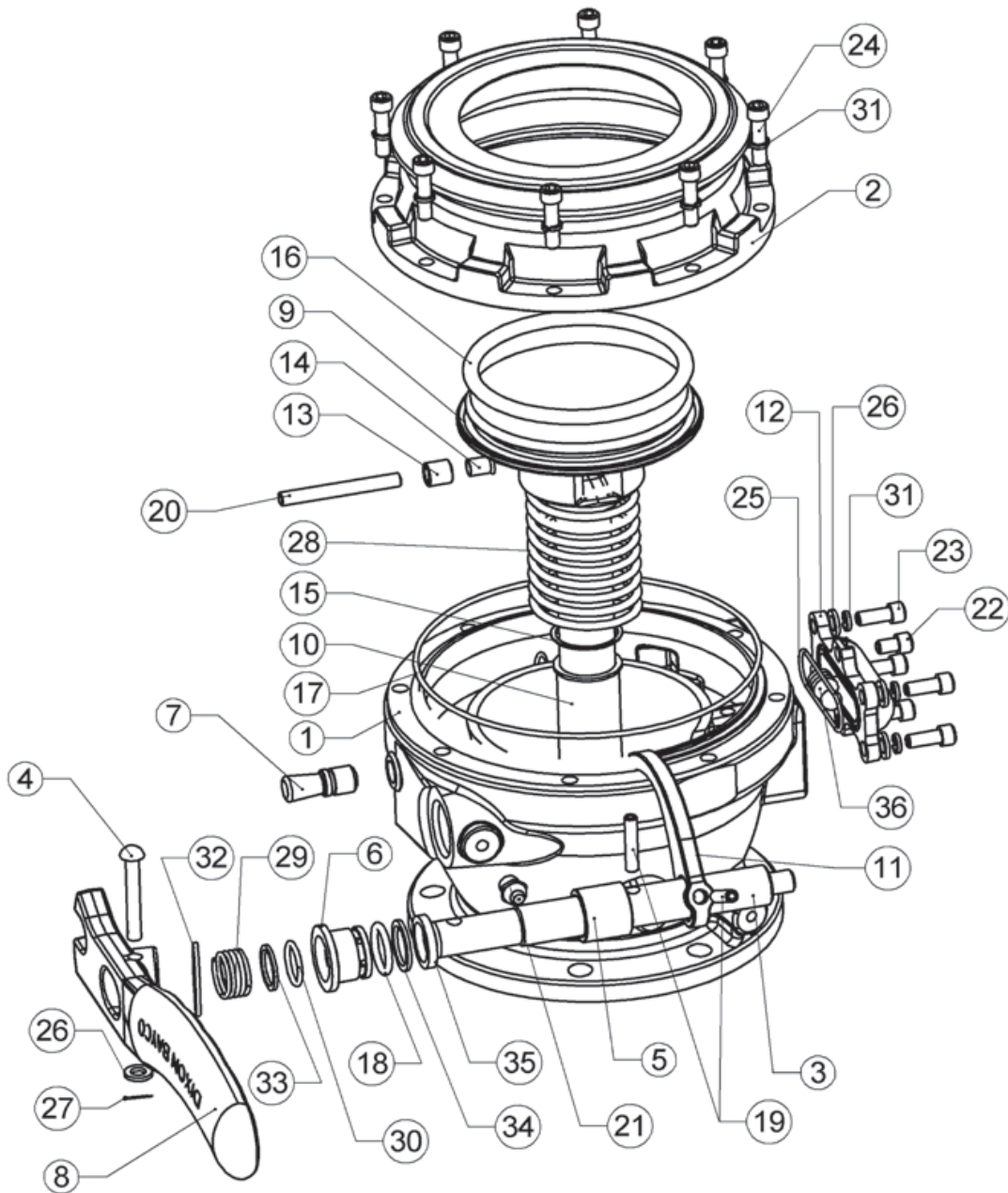


5204 Series, API Bottom Load Valves



Repair Kits

Part #	Description	Include items #
5204K2	complete rebuild kit: Baylast™ O-rings, shaft bearing	6,16A, 17A, 18A, 30, 32, 33, 34,35
5204KV2	complete rebuild kit: FKM poppet O-ring, Baylast™ O-rings, Shaft bearing	6,10, 13, 14, 16B, 17B, 18B, 25B, 30, 35
5204K3	replacement anodized nose ring with Baylast™ gasket, screws and lock washers	2, 17A, 24, 31
5204K5	replacement detachable handle assembly (for 5204C and 5204NGC)	not illustrated
5204K6	PTFE encapsulated seal kit, poppet O-ring, nose O-ring, shaft O-ring, and sight glass O-ring	16C, 17B, 18B, 25B
5204K7	replacement fixed handle assembly	4, 8A, 26, 27, 29, 32
5204K8	sight glass repair kit	12, 25A, 36, 37
5204K9	sight glass cover kit (to convert units with sight glass to non-sight glass)	not illustrated
5204K11	nose ring replacement 8 hex bolts & 8 washers kit	24, 31
5204K12	sight glass replacement hardware, 6 hex bolts, 6 lock washers and 4 washers kit	23, 26, 31
5204K13	replacement full body sight glass, seals and retainer kit for 5204SFI	38, 39, 40

Fuel Tanker Loading and Unloading

5204 Series, API Bottom Load Valves

Bill of Materials

Item #	Description	Part #
1	body - pipe end	---
2	nose ring	use kit 5204K3
3	shaft	390812
4	handle pin	111559
5	shaft spacer	390813
6	shaft bearing	111557
7	stop pin	5204-SP
8A	fixed handle	use kit 5204K7
8B	removeable handle	use kit 5204K5
9A	poppet (load/unload versions)	341755
9B	poppet (load only versions)	341756
10	poppet bearing	341801
11	cam	111550
12	sight glass	use kit 5204K8
13	poppet roller	390815
14	poppet roller bearing	111556
15	retaining ring	111560
16A	Baylast™ poppet O-ring	5204K1
16B	FKM poppet O-ring	5204KV1
16C	PTFE encapsulated poppet O-ring	use kit 5204K6
17A	nose ring O-ring	111554
17B	PTFE nose O-ring	use kit 5204K6
18A	shaft O-ring	111552
18B	PTFE shaft O-ring	use kit 5204K6
19	shaft and cam roll pin	6000-12
20	pin roller	111566
21	grease fitting	111561
23	sight glass screw	use kit 5204K12
24	nose ring screw	use kit 5204K11
25A	Baylast™ sight glass O-ring	use kit 5204K8
25B	PTFE sight glass O-ring	use kit 5204K6
26	washer	111562
27	cotter pin	111563
28A	main spring-steel	111564
28B	main spring- stainless steel	111542
29	handle spring	111565
30	dust seal O-ring	111553
31	lock washer ¼"	111569
32	handle shaft spring washer	111573
33	handle shaft washer	111574
34	back-up ring	111579
35	u-cup seal	111580
36	flow indicator	use kit 5204K8
38 ¹	retaining ring	use kit 5204K13
39 ¹	SFI sight glass	use kit 5204K13
40 ¹	SFI sight glass O-ring (Baylast™)	use kit 5204K13

¹ Not illustrated, parts for 5204-SFI

N/A = Not Applicable